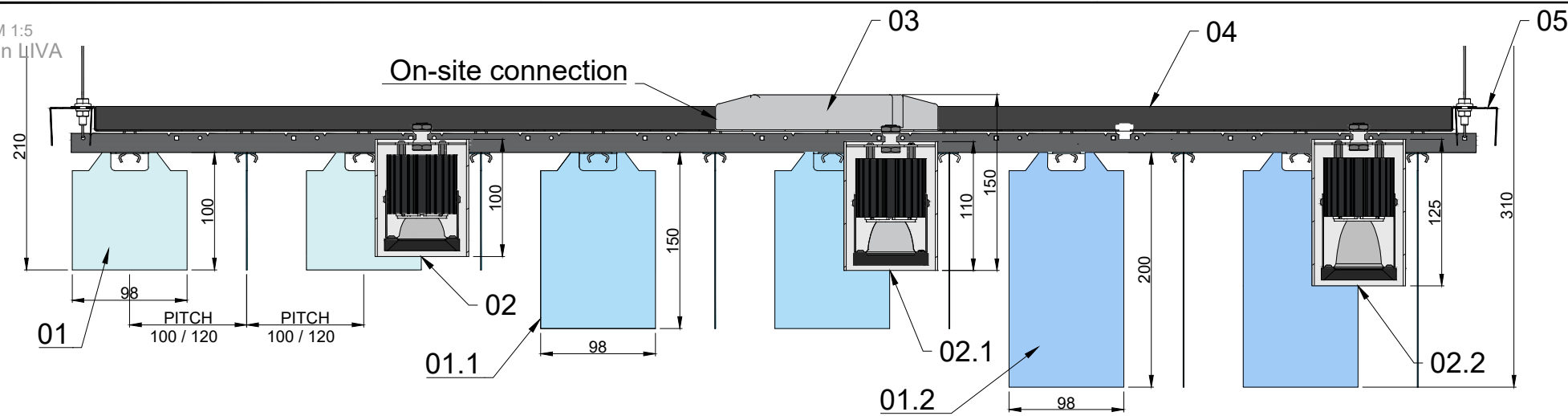
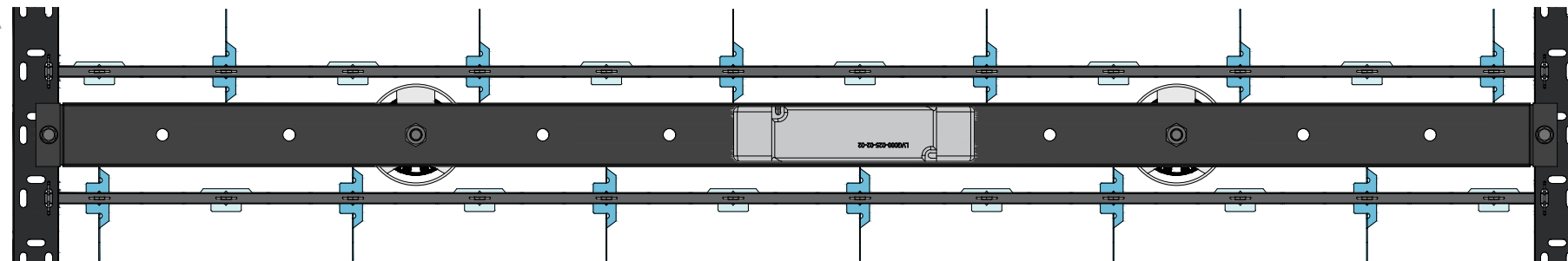


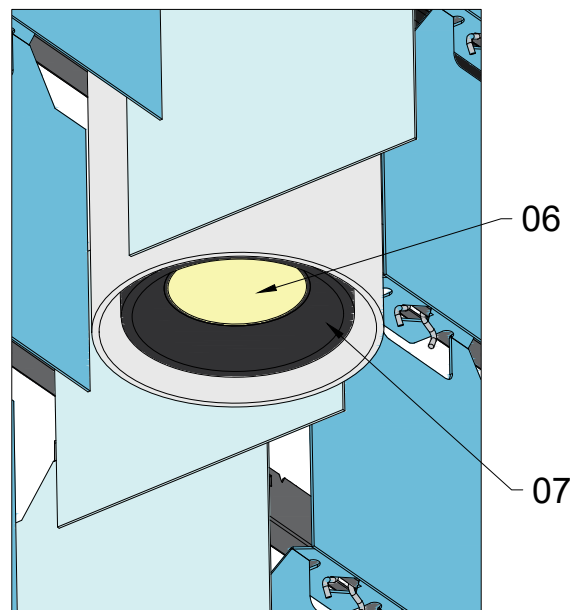
Cut view M 1:5  
PUNTEO J 060 in LIVA



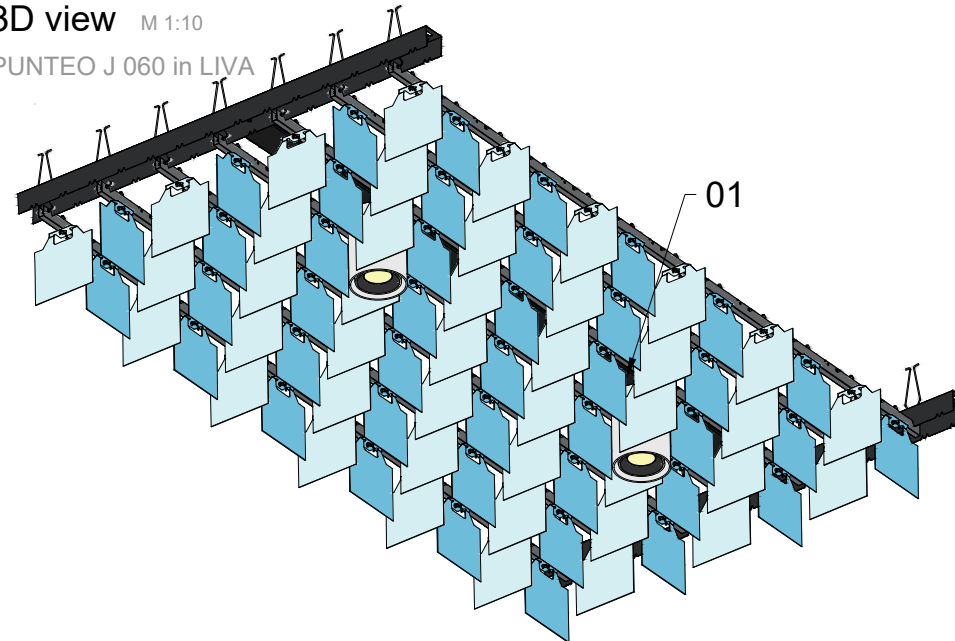
Top view M 1:5  
PUNTEO J 060 in LIVA



3D view M 1:2  
PUNTEO J 060 in LIVA



3D view M 1:10  
PUNTEO J 060 in LIVA



# PUNTEO® - J060 - S 06 Point | Integration in LIVA

LED downlight - see table - for perfect integration in durlum ceiling system LIVA and other ceiling systems with coordinated opening.

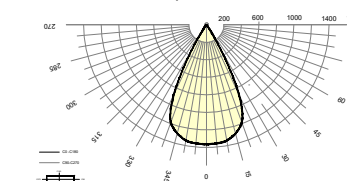
Protection class I  
Protection system IP 20  
Ambient temperature <35°C

System S 06 - designed for: Integration in LIVA

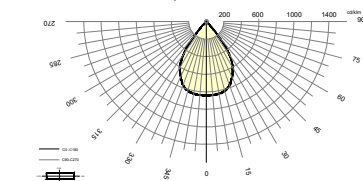
Life Time: Average L80 [Ta 25 °C] > 50.000 h  
Electrical connection: 230V / 50 Hz + DALI  
Direct connection to LED driver

Light distribution curve [ LDC ]

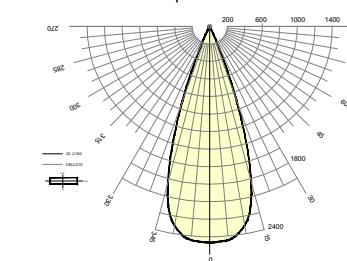
PUNTEO J060 | Index "a" -2-35°



PUNTEO J060 | Index "b" -2-45°



PUNTEO J060 | Index "c" -2-25°



01	durlum LIVA metal leaves H=100mm
01.1	durlum LIVA metal leaves H=150mm
01.2	durlum LIVA metal leaves H=200mm
02	PUNTEO J060 in round housing H=100mm
02.1	PUNTEO J060 in round housing H=110mm
02.2	PUNTEO J060 in round housing H=125mm
03	LED driver
04	Carrier for PUNTEO J060 and LED driver
05	Substructure for LIVA ceiling
06	Reflector PUNTEO J060
07	Antiglare tube black

Order number - 2.700 ... 5.000 K	5-PUNJ060S06a01A	5-PUNJ060S06c01A	5-PUNJ060S06b01A
Order number - 4.000 K	5-PUNJ060S06a02A	5-PUNJ060S06c02A	5-PUNJ060S06b02A
Order number - 4.000 K	5-PUNJ060S06a03A	5-PUNJ060S06c03A	5-PUNJ060S06b03A
Ø x Height [mm]	85 x 110	85 x 125	85 x 100
Surface	A = RAL 9005, matt - black B = RAL 9010, matt - white	A = RAL 9005, matt - black B = RAL 9010, matt - white	A = RAL 9005, matt - black B = RAL 9010, matt - white
Weight [kg - ca.] :			
Light distribution :	2 x 35°	2 x 25°	2 x 45°
Colour rendering index CRI	> 90	> 90	> 90
LED lumen [@ 350mA]	1.410 lm @ 2.700 ... 5.000 K 1860 lm @ 4.000 K 1779 lm @ 3.000 K	1.410 lm @ 2.700 ... 5.000 K 1860 lm @ 4.000 K 1779 lm @ 3.000 K	1.410 lm @ 2.700 ... 5.000 K 1860 lm @ 4.000 K 1779 lm @ 3.000 K
Light output ration - LOR [%]	85%	85%	85%
Total power [W]	14	14	14
Dali addresses / LED-Treiber	1 / 1	1 / 1	1 / 1
LED driver per circuit breaker @ 16A - C	45	45	45

This drawing is entrusted to the recipient with all rights reserved and must only be used for common purpose projects. Transmission to third parties, especially competitors, is prohibited. Durlum GmbH

Please refer to the general instructions for the operation.

Approved .....		
DIN ISO 9001 Zertifiziert Qualitätsmanagementsystem Reg.-Nr.: 70 100 M 851	Point   PUNTEO J060 S06 LED downlight for LIVA ceiling	
durlum technical documents		
Date	Name	PUNTEO J 060 - S06
04.03.2023	PJ	
A3   M1:5		
durlum GmbH 79650 Schopfheim Germany Tel. 0049 7622 39050 Email info@durlum.de		