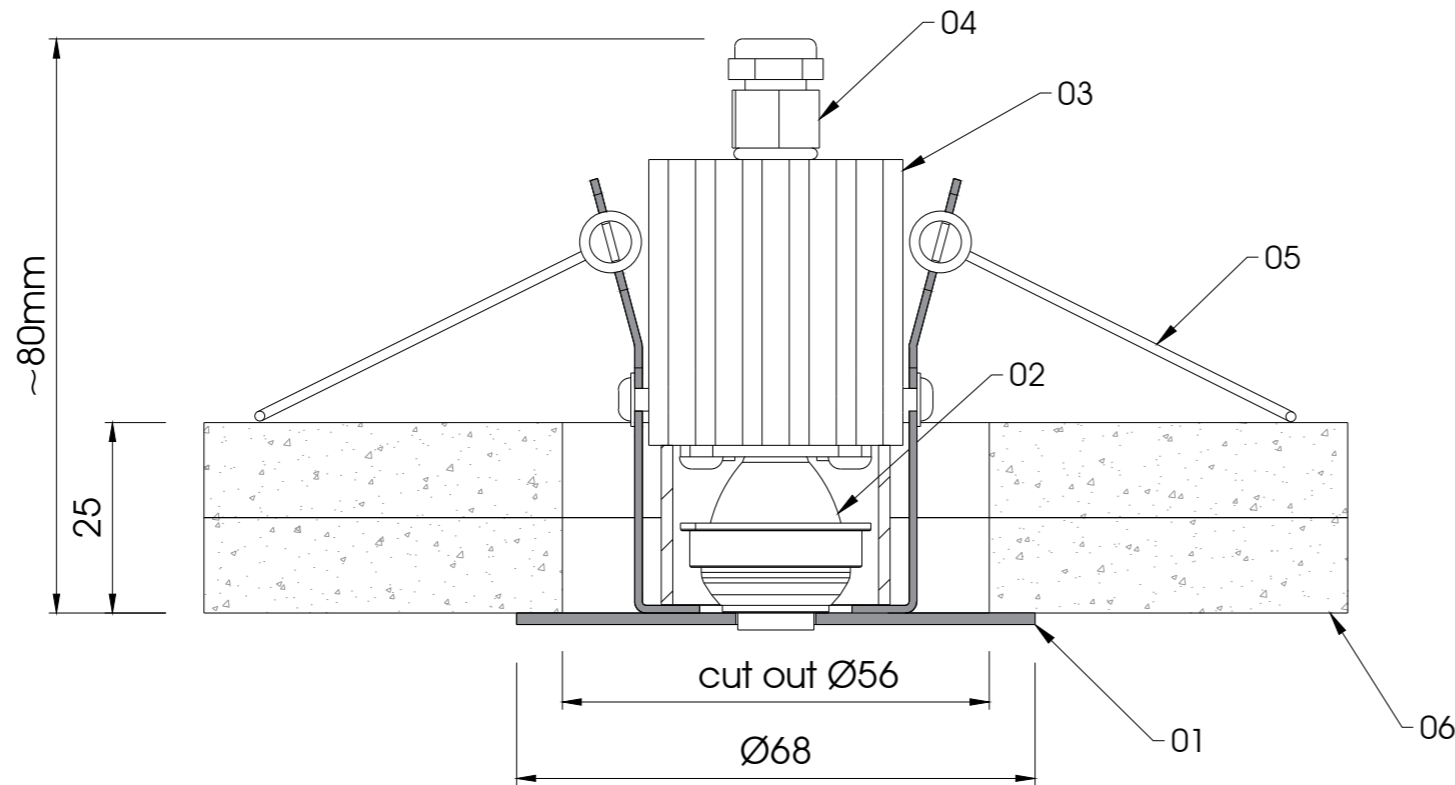
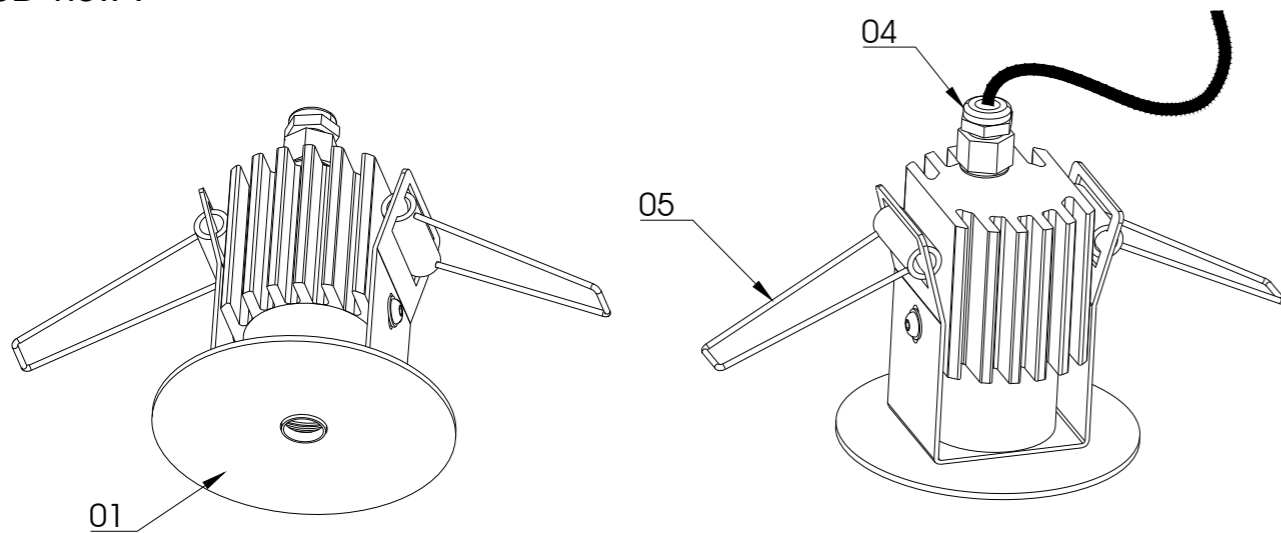


Side view :



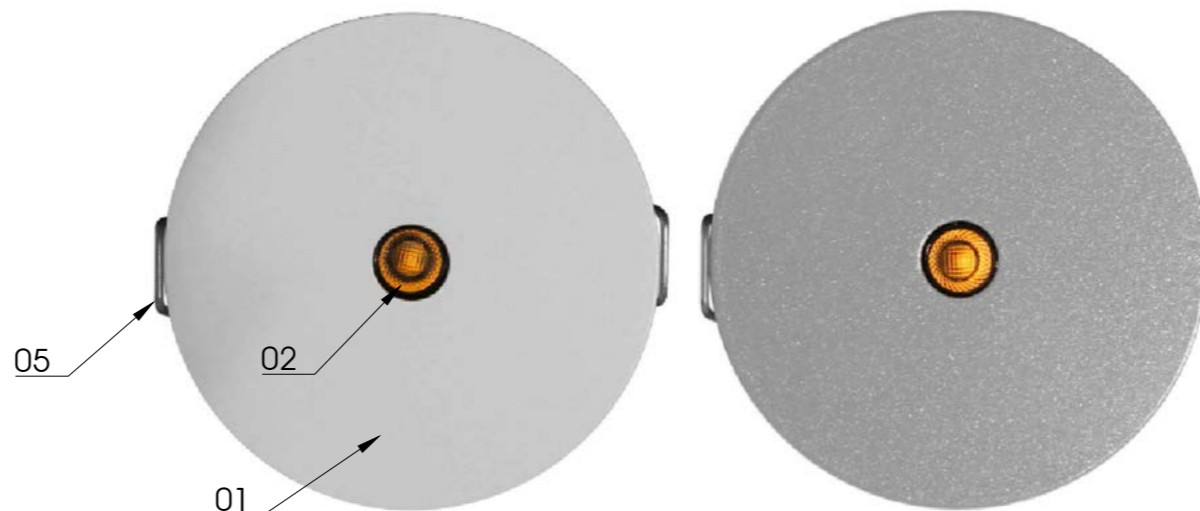
3D view :



This drawing is passed on with all rights reserved to durlum and must ONLY be used for common purpose projects. Transmission to third parties especially competitors is prohibited! durlum GmbH, Schopfheim, Germany

5-PUN N 1X1 S03a 01 A
RAL 9016

5-PUN N 1X1 S03a 01 B
RAL 9006



Order number for example
5-PUN N 1X1 S03a 01 A

- 5-PUN N - order group for Punteo N
- 1X1 - single light fitting [1 "point"]
- S03 - System 03
- for metal ceiling / GK ceiling
- a - light distribution - 2 x 38°
- 01 - light color - 3.000 K
- A - Cover RAL 9016

PUNTEO® N 1 x 1 - S03

High efficient LED Downlight with ellipsoid lens technique.
Light opening of only Ø 9 mm

Light distribution index:

- : a - 2 x 38° | sym - beam | LOR 75 %
- : b - 2 x 20° | sym - beam | LOR 70 %

Variation index in colour temperatur and power:

- : 01 - 3.000 K | 8 W | 850 lm | CRI > 80
- : 02 - 4.000 K | 8 W | 905 lm | CRI > 80
- : 03 - 2.700 K / 5.000 K | 8 W | 900 lm | CRI > 80

Colour index [surface]:

- : A - RAL 9016, matt
- : B - RAL 9006, matt

Dimension [see drawing S03]

: Ø 68 - height min. 80 mm

Protection class : III [without LED driver]

Protection system : IP 20 [standard]

System S 03

: built-in luminaire for gypsum cardboard
[or metal ceiling]

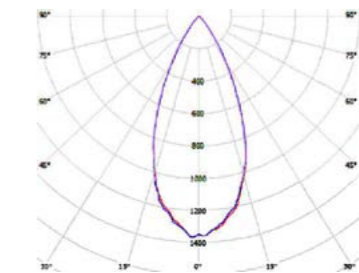
Life Time

Average L80 [Ta 25 °C] > 50.000 h

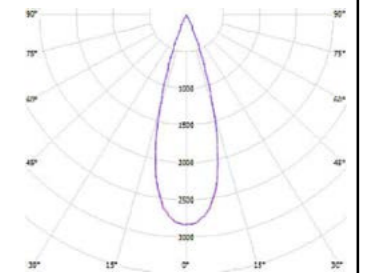
Power supply [to be ordered separately]

Datasheet on request

Light distribution curve [LDC]
Index "a" - 2 x 38°



Light distribution curve [LDC]
Index "b" - 2 x 20°



01	Cover - RAL ...
02	Lens with LED Chip
03	Heatsink
04	Cable with cable entry
05	mounting Spring
06	gypsum cardboard
07	...
08	...

Approved

DIN ISO 9001 certified Quality management system Reg. No. 10 103 001		PUNTEO® N 1X1 - S03		
durlum technical documents				
Date	Name			durlum GmbH 79650 Schopfheim Germany Tel. 0049 7822 39050 Email info@durlum.de
05.12.2018	af / VA			
		PUNTEO N 1x1-S03-P1		